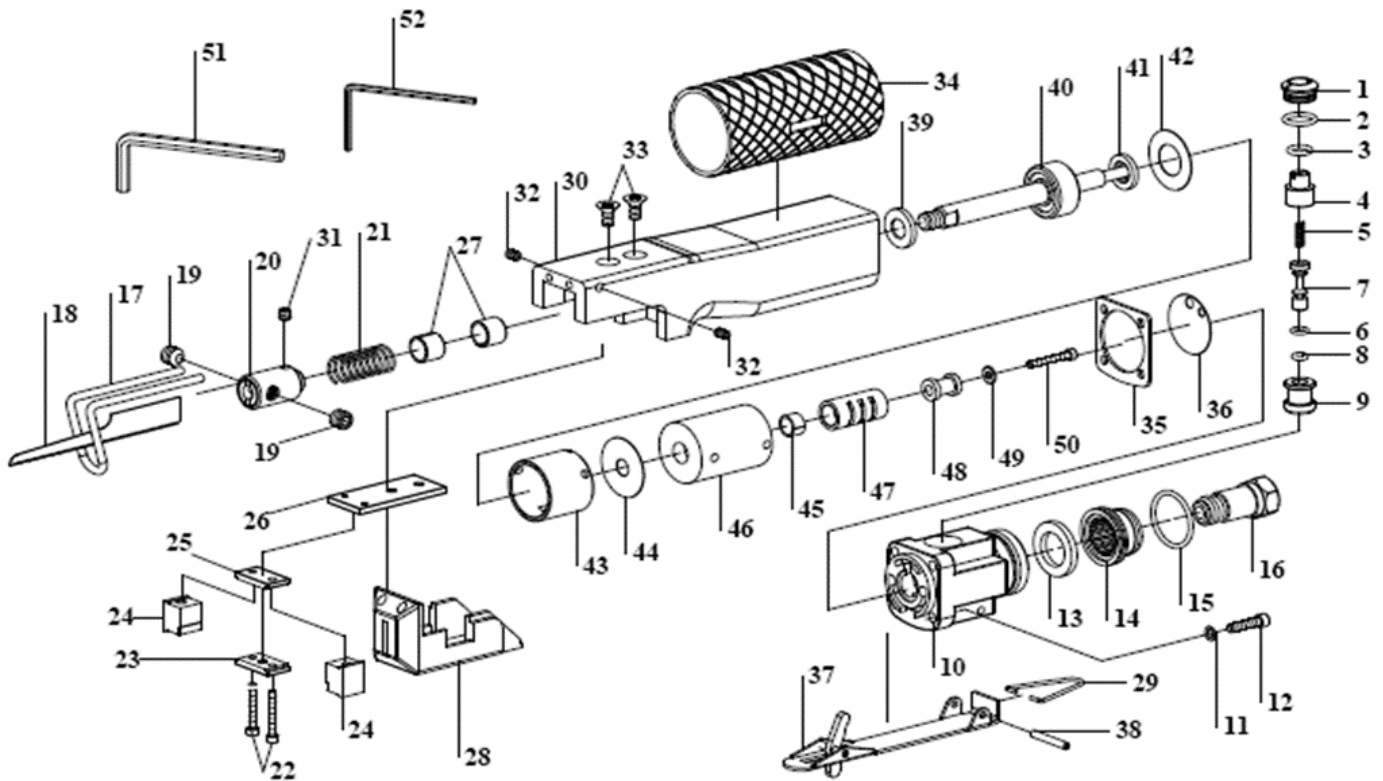


## APT650 - Air Body Saw



Ref	PCL Part No	Description	Qty
1	APS650/1	Valve screw	1
2	APS650/2	O-ring	1
3	APS650/3	O-ring	1
4	APS650/4	Air controller	1
5	APS650/5	Valve spring	1
6	APS650/6	O-ring	1
7	APS650/7	Valve stem	1
8	APS650/8	O-ring	1
9	APS650/9	Valve bushing	1
10	APS650/10	Valve block	1
11	APS650/11	Lock washer	4
12	APS650/12	Cap screw	4
13	APS650/13	Sponge	1
14	APS650/14	Exhaust sleeve	1
15	APS650/15	O-Ring	1
16	APS650/16	Air inlet	1
17	APS650/17	Work guide	2
18	APS650/18	Blade	2
19	APS650/19	Set screw	2
20	APS650/20	Blade chuck	1
21	APS650/21	Spring	1
22	APS650/22	Cap screw	2
23	APS650/23	Bridge	1
24	APS650/24	Blade guide	2
25	APS650/25	Upper wear shoe	1
26	APS650/26	Guide plate	1

Ref	PCL Part No	Description	Qty
27	APS650/27	Bushing	2
28	APS650/28	Chuck cover	1
29	APS650/29	Hanger	1
30	APS650/30	Housing	1
31	APS650/31	Set screw	2
32	APS650/32	Set screw	2
33	APS650/33	Screw	2
34	APS650/34	Housing cover	1
35	APS650/35	Gasket	1
36	APS650/36	Packing	1
37	APS650/37	Throttle lever	1
38	APS650/38	Lever pin	1
39	APS650/39	Front bumper	1
40	APS650/40	Piston assembly	1
41	APS650/41	Rear bumper	1
42	APS650/42	Packing	1
43	APS650/43	Cylinder	1
44	APS650/44	Packing	1
45	APS650/45	Bush	1
46	APS650/46	Valve case	1
47	APS650/47	Valve sleeve	1
48	APS650/48	Actuate valve	1
49	APS650/49	Washer	1
50	APS650/50	Screw	1
51	APS650/51	Service wrench (4mm)	1
52	APS650/52	Service wrench (2mm)	1