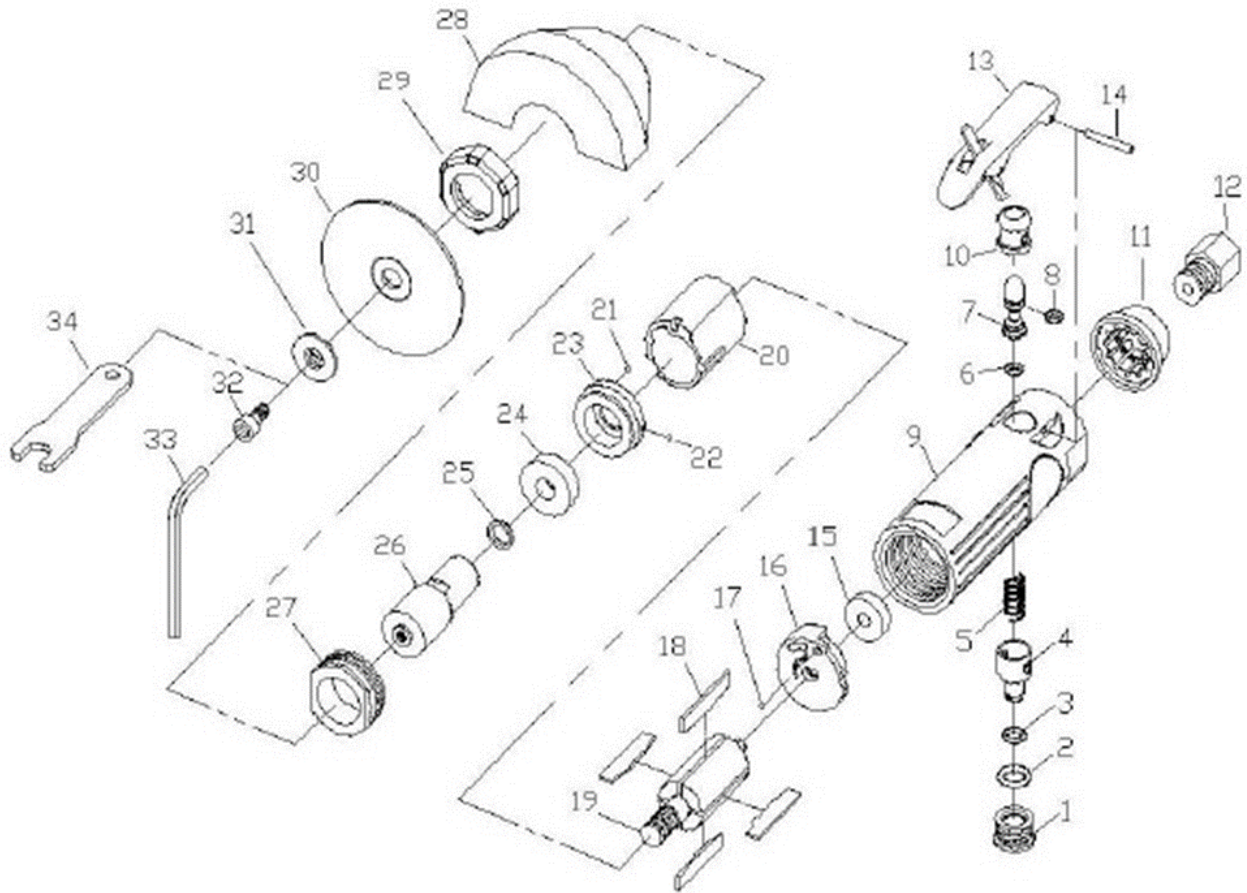


## APT719 - Cut Off Tool



Ref	PCL Part No	Description	Qty
1	APS719/1	Plug screw	1
2	APS719/2	O-ring	1
3	APS719/3	O-ring	1
4	APS719/4	Air regulator	1
5	APS719/5	Valve spring	1
6	APS719/6	O-ring	1
7	APS719/7	Valve stem	1
8	APS719/8	O-ring	1
9	APS719/9	Motor housing	1
10	APS719/10	Valve bushing	1
11	APS719/11	Muffler	1
12	APS719/12	Air inlet	1
13	APS719/13	Lever	1
14	APS719/14	Lever pin	1
15	APS719/15	Bearing	1
16	APS719/16	Bearing plate	1
17	APS719/17	Ball	1

Ref	PCL Part No	Description	Qty
18	APS719/18	Rotor blades	4
19	APS719/19	Rotor	1
20	APS719/20	Cylinder	1
21	APS719/21	Ball	1
22	APS719/22	Ball	1
23	APS719/23	Bearing plate	1
24	APS719/24	Bearing	1
25	APS719/25	Rotor collar	1
26	APS719/26	Spindle	1
27	APS719/27	Lock ring	1
28	APS719/28	Metal protector/plastic protector	1
29	APS719/29	Nut	1
30	APS719/30	Cutting wheel	1
31	APS719/31	Spacer	1
32	APS719/32	Hex screw	1
33	APS719/33	Allen wrench	1
34	APS719/34	Wrench	1